



www.ShawneeOK.org

BORING & PAVING PERMIT APPLICATION

Planning Office
405-878-1666
222 N Broadway Ave
Shawnee OK 74801-6917
FAX: (405) 878-1587
cosinspections@shawneeok.org

DATE RECEIVED _____ PERMIT NO. _____ INSPECTOR _____

CONTRACTOR (MUST BE BONDED & INSURED) _____

ADDRESS _____ CITY _____ STATE _____ ZIP _____

PHONE # _____ FAX # _____

LOCATION OF JOB _____ PROPERTY OWNER _____

ALLEY STREET CUT GRAVEL BORE CONCRETE ASPHALT

REQUIREMENTS

- \$2,000 BOND OR \$2,000 CHECK IN LEAU OF A BOND. CHECK # _____
- ALL REQUIRED INSPECTIONS SHALL BE COMPLETED BEFORE THE BOND OR CHECK WILL BE SIGNED AND RELEASED WITH THE PLANNING DEPARTMENT.
- LIABILITY INSURANCE 5,000/10,000/5,000
- A BUILDING OR ENGINEERING INSPECTOR WILL INSPECT ALL STREET CUTS AND BORES (INCLUDING ANY UTILITY INSPECTIONS, COMPACTING AND BACK FILL).
- A DETAILED SITE PLAN SHOWING THE LOCATION OF THE PROPOSED CUT AND/OR BORE.

SITE PLAN

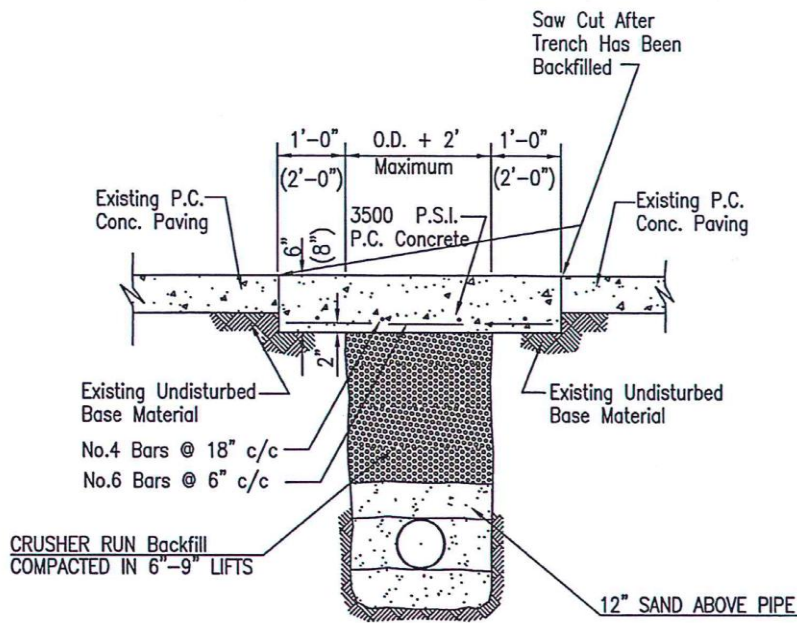
Attach to the application, a plat showing the dimensions of the parcel of land, the location and the nature of all improvements upon the land and the proposed location of the driveway approach, showing it proposed dimensions in the same scale as that of the parcel of land and its improvements. (One (1) inch equals ten (10) feet.)

The applicant shall execute a covenant indemnifying the City against any and all claims.

APPLICANT'S SIGNATURE _____ DATE _____

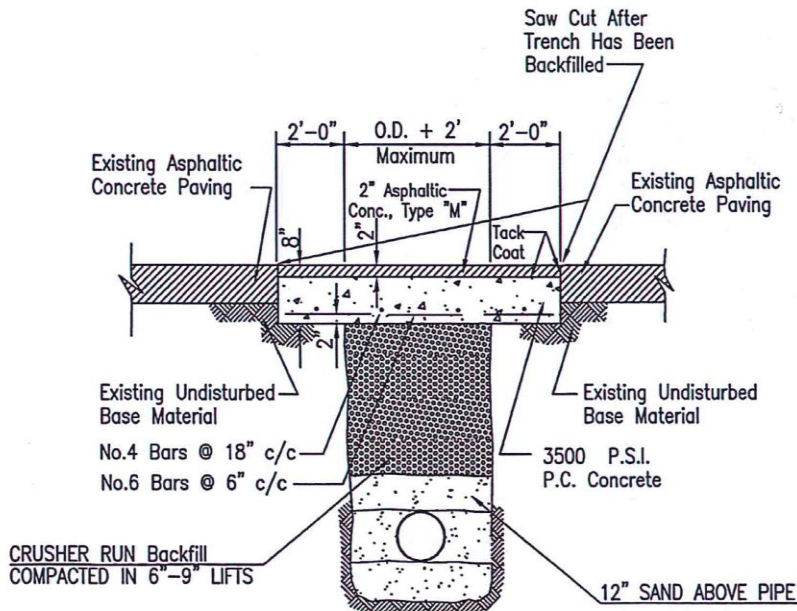
CITY INSPECTOR _____ CITY APPROVAL DENIAL
DATE _____ COMMENTS _____

PERMIT FEE \$60.00 PER _____ ISSUED DATE _____
CASH/CREDIT CARD/CHECK# _____ ISSUE BY _____



NOTE: Streets Less Than 30' In Width Shall Be Repaired With A 6" Min. Thickness Of P.C. Concrete. Streets Over 30' In Width Shall Be Repaired With 8" Min. Thickness Of P.C. Conc.

TYPICAL PERMANENT REPAIR FOR P.C. CONCRETE PAVING



NOTE: All Construction And Materials Shall Be In Accordance With Shawnee's city Standard Specifications For Const. Of Public Improvements.

TYPICAL PERMANENT REPAIR FOR ASPHALTIC CONCRETE PAVING