



www.ShawneeOK.org

BORING & PAVING
PERMIT APPLICATION

Planning Office
405-878-1666
222 N Broadway Ave
Shawnee OK 74801-6917
FAX: (405) 878-1587
cosinspections@shawneeok.org

DATE RECEIVED _____ PERMIT NO. _____ INSPECTOR _____

CONTRACTOR (MUST BE BONDED & INSURED) _____

ADDRESS _____ **CITY** _____ **STATE** _____ **ZIP** _____

PHONE # _____ **FAX #** _____

EMAIL ADDRESS _____

LOCATION OF JOB _____ **PROPERTY OWNER** _____

<u>ALLEY</u> <input type="checkbox"/> <u>STREET</u> <input type="checkbox"/> <u>CUT</u> <input type="checkbox"/> <u>GRAVEL</u> <input type="checkbox"/> <u>BORE</u> <input type="checkbox"/> <u>CONCRETE</u> <input type="checkbox"/> <u>ASPHALT</u> <input type="checkbox"/>

REQUIREMENTS

- \$2,000 BOND OR \$2,000 CHECK IN LEAU OF A BOND. CHECK # _____
- ALL REQUIRED INSPECTIONS SHALL BE COMPLETED BEFORE THE BOND OR CHECK WILL BE SIGNED AND RELEASED WITH THE PLANNING DEPARTMENT.
- LIABILITY INSURANCE 5,000/10,000/5,000
- A BUILDING OR ENGINEERING INSPECTOR WILL INSPECT ALL STREET CUTS AND BORES (INCLUDING ANY UTILITY INSPECTIONS, COMPACTING AND BACK FILL).
- A DETAILED SITE PLAN SHOWING THE LOCATION OF THE PROPOSED CUT AND/OR BORE.

SITE PLAN

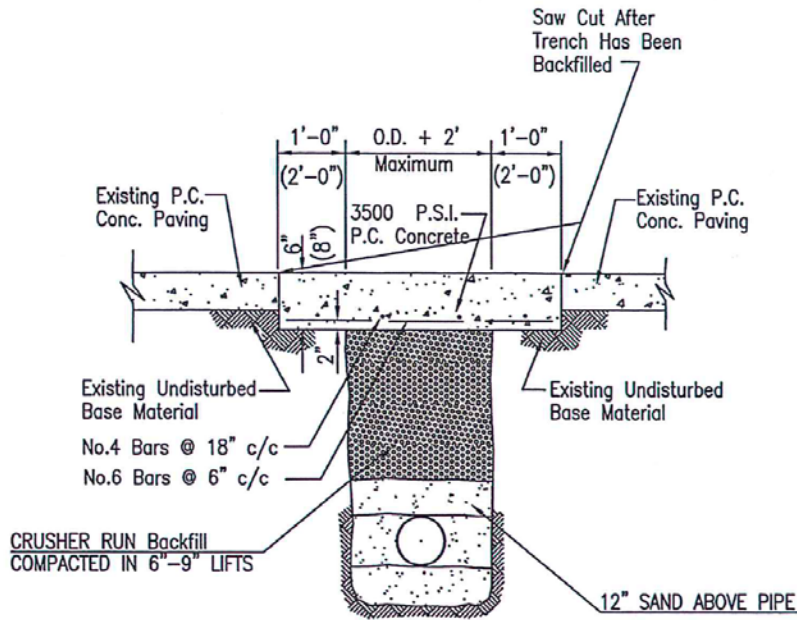
Attach to the application, a plat showing the dimensions of the parcel of land, the location and the nature of all improvements upon the land and the proposed location of the driveway approach, showing it proposed dimensions in the same scale as that of the parcel of land and its improvements. (One (1) inch equals ten (10) feet.)

The applicant shall execute a covenant indemnifying the City against any and all claims.

APPLICANT'S SIGNATURE _____ **DATE** _____

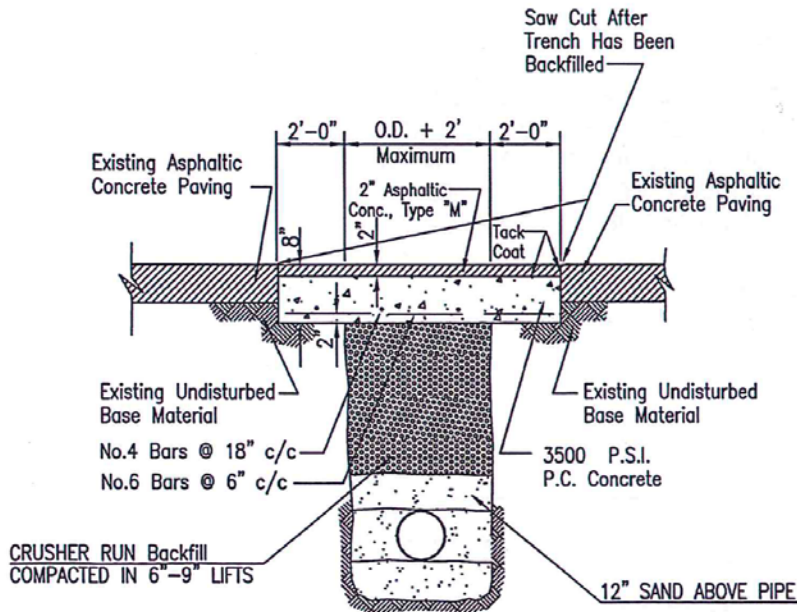
CITY INSPECTOR _____ **CITY APPROVAL** **DENIAL**
DATE _____ COMMENTS _____

PERMIT FEE \$60.00 PER _____ ISSUED DATE _____
CASH/CREDIT CARD/CHECK# _____ ISSUE BY _____
RECEIPT NO _____



NOTE: Streets Less Than 30' In Width Shall Be Repaired With A 6" Min. Thickness Of P.C. Concrete. Streets Over 30' In Width Shall Be Repaired With 8" Min. Thickness Of P.C. Conc.

TYPICAL PERMANENT REPAIR FOR P.C. CONCRETE PAVING



NOTE: All Construction And Materials Shall Be In Accordance With Shawnee's city Standard Specifications For Const. Of Public Improvements.

TYPICAL PERMANENT REPAIR FOR ASPHALTIC CONCRETE PAVING



Please note that confirmation that OKIE811 has been called and out to mark your site must be produced prior to the issuance of this building permit. You may submit a locate request: By phone, dial 811 or 1 (800) 522-OKIE (6543) or download the OKIE811 app from the iTunes or Google Play store.



I confirm that OKIE811 has been out to my site.

Signature

Date